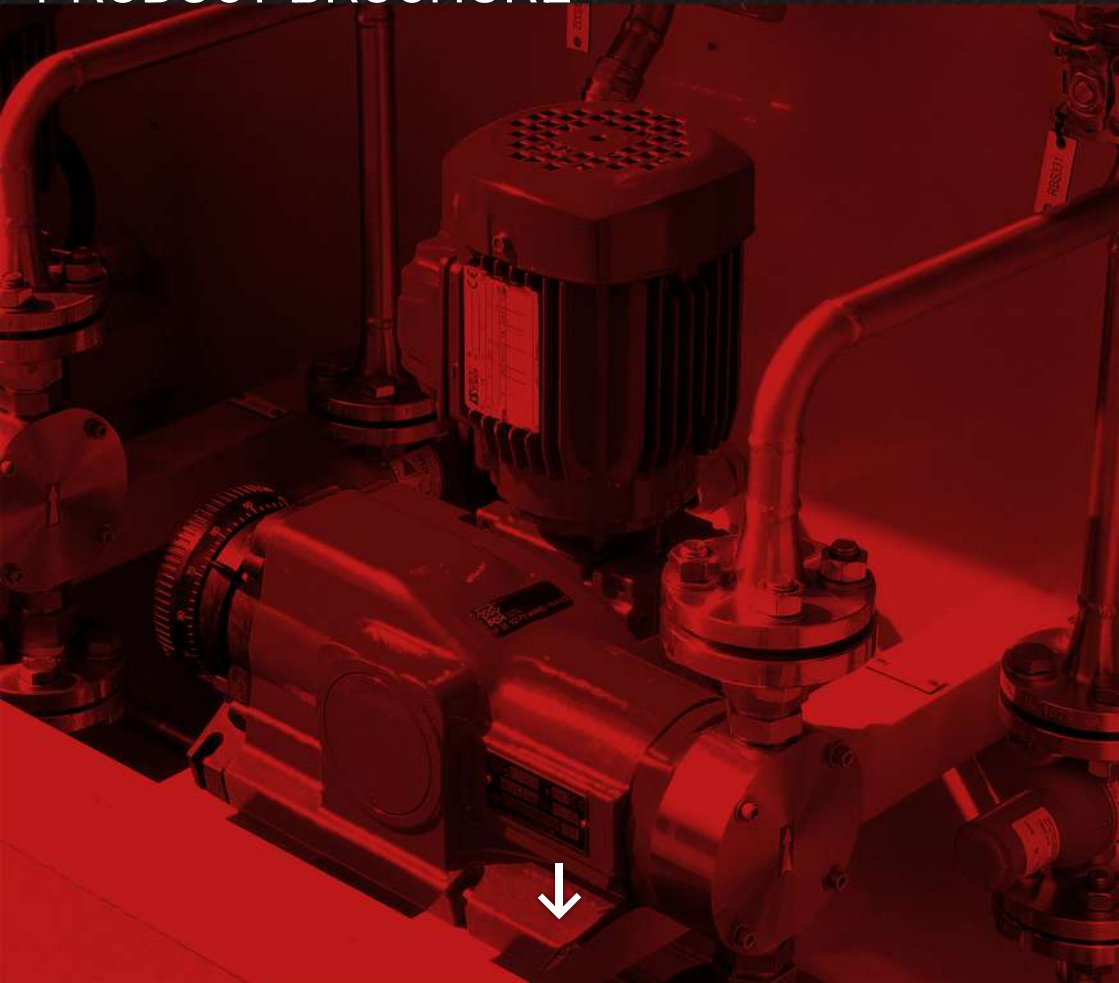




**PUMP VIJEH**  
Co. DOSIERTECHNIK

# **TM METERING PUMPS SERIES**

## **PRODUCT BROCHURE**





**GENERAL  
INFORMATION**





## GENERAL INFORMATION

### - GENERAL

The TM series diaphragm dosing pumps are low-cost, robust, motor driven metering pumps for dosing liquid products. Due to its design, the pump has no stuffing boxes and is leak proof. The available heads are from 4-110 l/h. TM series are manufactured with materials that can resist most chemicals products, even acids. They are designed for all sorts of processes where it is necessary to dose a product into a hydraulic network, such as: food, textile, chemical industry, water treatments, etc.

Dosing flow of each module is adjustable independently with no need to stop the pump from 0% to 100% of its capacity.

Standard versions are metering pumps with a left-hand metering head design. Duplex metering pumps with two identical, independently adjustable metering heads up to ZTM 45 are also available. The motor output for duplex pumps equals to the output for single pumps as the metering heads operate on a reciprocating basis.

### - METERING HEAD

The metering heads are available in uPVC, PP, and stainless steel. Special materials are available upon request. The suction and discharge valves are normally designed as double-ball valves. For viscous media as from approx. 400 mPas, spring loaded single-ball valves are recommended for both the suction and discharge side. The opening pressure of the spring-loaded valves is approx. 0.1 bar.



## GENERAL INFORMATION

### **- SEPARATING CHAMBER**

The diaphragm flanges are designed so that, in the case of a diaphragm failure due to wear, the control of chemicals emerging from the pump or entering the gearbox is possible. All leakage is purposely drained off through a drain pipe

### **- DRIVE UNIT**

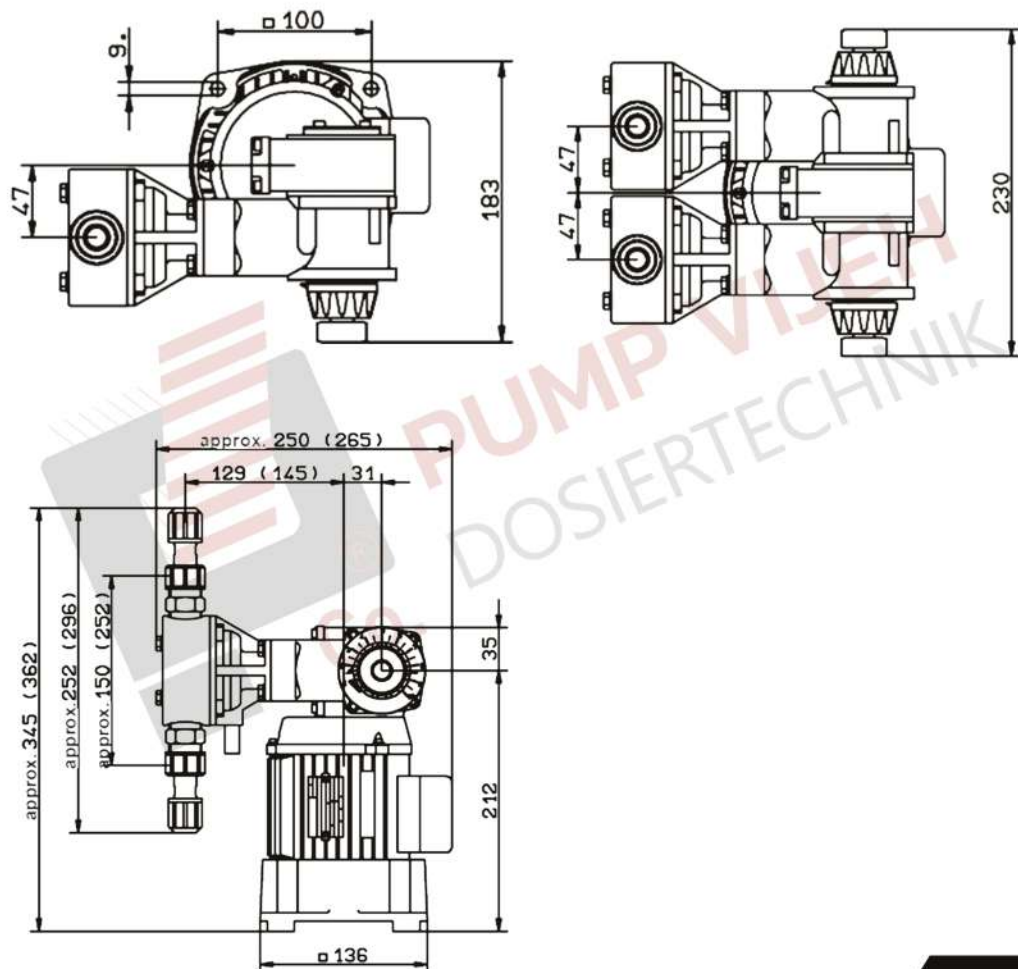
The gearbox is equipped with a single-stage worm reduction gear. The worm wheels and bearings are lubricated for life. The strokes are generated by an eccentric, which moves the diaphragm by means of a spring-loaded plunger. The injection stroke is actuated by the eccentric and the suction stroke by the returning spring. The stroke can be adjusted either manually or electrically.

As standard, we deliver a three-phase AC motor, which is an integral component of the pump. Therefore, the motor cannot be exchanged for other motor types



## DIMENSION

### - DIMENSIONS

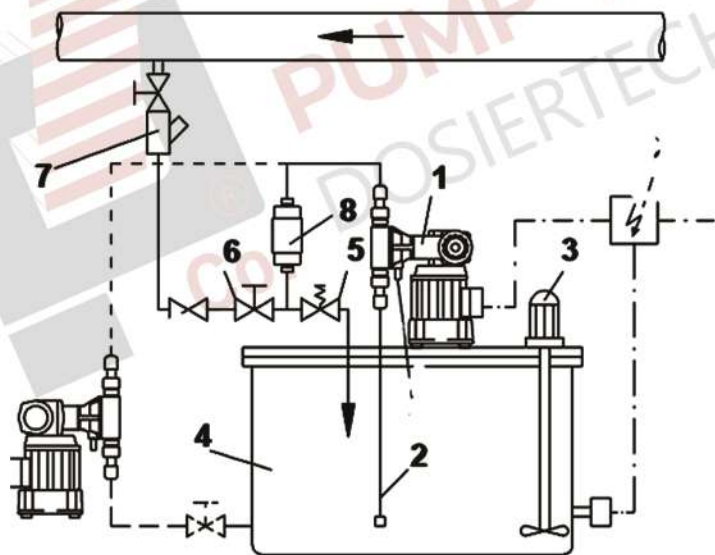




## INSTALLATION

### - INSTALLATION EXAMPLE:

- 1 Metering pump TM
- 2 Suction pipe
- 3 Electric agitator
- 4 Tank
- 5 Pressure relief valve
- 6 Diaphragm shutoff valve
- 7 Injection point
- 8 Pulsation dampener





**PUMP VIJEH**  
**DOSIERTECHNIK**

**Co.**

شرکت پمپ ویژه در سال ۱۳۷۲ با اخذ موافقت اصولی از وزارت صنایع تشکیل گردید و با توجه به شرایط روز کشور اقدام به بستن قرارداد انتقال دانش فنی و ساخت انواع پمپ تزریق مواد شیمیایی با شرکت JESCO آلمان نموده است پس از مدتی با توجه به نیازهای صنایع مختلف در ایران اقدام به همکاری با شرکت های DEBEEM ایتالیا و ITC اسپانیا و اخذ نمایندگی انحصاری نموده است.

تهران جاجرود سعیدآباد کوچه البرز شماره ۲۵ 

۰۲۱-۷۶۲.۳۵۹۴ - ۰۲۱-۷۶۲.۵۶۱۶ 

WWW.PUMPVIZEH.COM 