



PUMP VIJEH
DOSIERTECHNIK

M METERING PUMPS SERIES

PRODUCT BROCHURE





PUMP VIJEH
Co. DOSIERTECHNIK

PRODUCT
IMAGE



1

WWW.PUMPVJEH.COM



GENERAL INFORMATION

- GENERAL

Diaphragm dosing pumps of the M series are the alternative of the part motor-pumps TM, if the use of electrical, special drives is necessary.

These could be for example direct-current motors or explosion proofed three-phase motors.

The M series offer the possibility for a variable mounting of dosing head.

Thus they are used in the industrial sector, in process engineering and very frequently in water and waste water treatment. Diaphragm metering pumps are leak proof.

The available heads are from 96~4 l/h. M series are manufactured with materials that can resist most chemicals products, even acids. They are designed for all sorts of processes where it is necessary to dose a product into a hydraulic network, such as: food, textile, chemical industry, water treatments, etc.

Dosing flow of each module is adjustable independently with no need to stop the pump from 0% to 100% of its capacity.

Standard versions are metering pumps with a left-hand metering head design. Duplex metering pumps with two identical, independently adjustable metering heads up to MR980 are also available. The motor output for duplex pumps equals to the output for single pumps as the metering heads operate on a reciprocating basis.

- METERING HEAD

The metering heads are available in uPVC, PP, and stainless steel. Special materials are available upon request. Suction and discharge valves are double-ball valves. For viscous media of 400 mPas and more, spring-loaded single-ball valves are recommended for the suction and the discharge side.

GENERAL INFORMATION

- SEPARATING CHAMBER

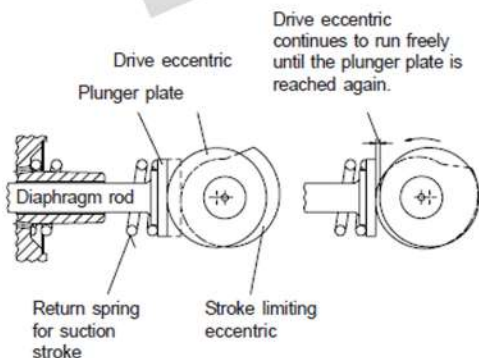
The diaphragm flanges have been designed so that, in the case of a diaphragm rupture due to wear, no chemical can escape randomly from the pump or enter the gear. The leakage is routed downwards through a drain pipe. The diaphragm flanges thus function as a separating chamber and are protected against aggressive media.

- DRIVE UNIT

The drive unit consists of an oil-filled worm gear. The stroke is generated by an eccentric which moves back and forth a spring-loaded plunger fixed to the diaphragm. The metering stroke is achieved by the pushing force of the eccentric, the resetting of the spring causes the suction stroke. The stroke length is set by limiting the plunger return by means of a manually adjustable eccentric disk used as a stop. The stroke length which determines the metering capacity can be adjusted manually during operation between 0 and 100 %.

The standard version is equipped with manual adjustment.

- PERFORMANCE DIAGRAM





TECHNICAL FEATURES

- SIMPLEX DOSING PUMPS

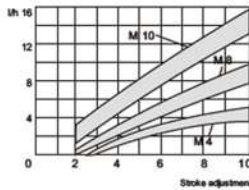
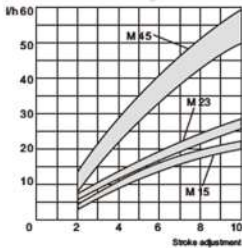
D		D4	D8	D10	D15	D23	D45
Delivery capacity	L/h	4	7.5	13	19	23	48
Max. delivery Pressure	Bar	10	10	10	10	10	10
Stroke Frequency	rpm	1450	1450	1450	1450	1450	1450
Connection Type		Threaded					
Connection size		DN4	DN4	DN6	DN6	DN6	DN6
Power supply	Kw	0.18	0.18	0.18	0.18	0.18	0.18
Wet End material		PVC , PP , PVDF and Stainless Steel (1.4571)					
Stroke adjustment		Manually adjustable (100 - 0 %)					
Diaphragm material		PTFE coated					

- DUPLEX DOSING PUMPS WITH EQUAL HEAD

ZD		D4/D4	D8/D8	D10/D10	D15/D15	D23/D23	D45/D45
Delivery capacity	L/h	4/4	7.5/7.5	13/13	19/19	23/23	48/48
Max. delivery Pressure	Bar	10	10	10	10	10	10
Stroke Frequency	rpm	1450	1450	1450	1450	1450	1450
Connection Type		Threaded					
Connection size		DN4	DN4	DN6	DN6	DN6	DN6
Power supply	Kw	0.18	0.18	0.18	0.18	0.18	0.18
Wet End material		PVC , PP , PVDF and Stainless Steel (1.4571)					
Stroke adjustment		Manually adjustable (100 - 0 %)					
Diaphragm material		PTFE coated					

- PERFORMANCE CURVES

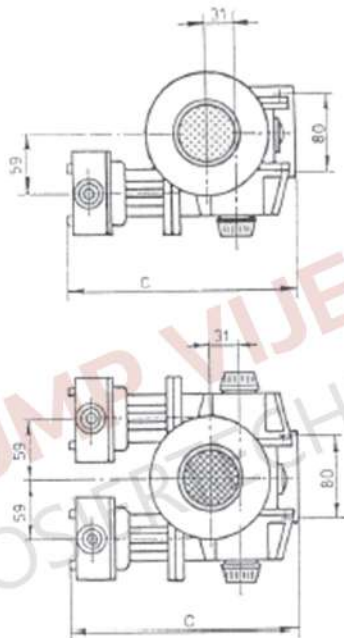
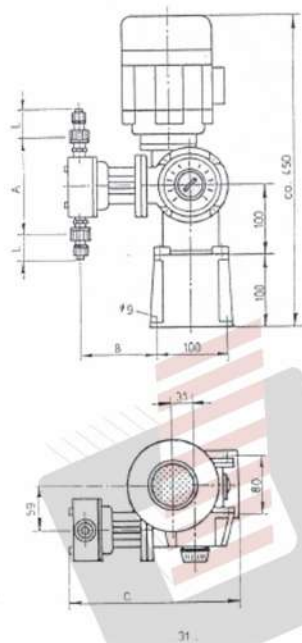
Upper curve of the range for "open-ended" delivery
Bottom curves against max. 10 bar





DIMENSION

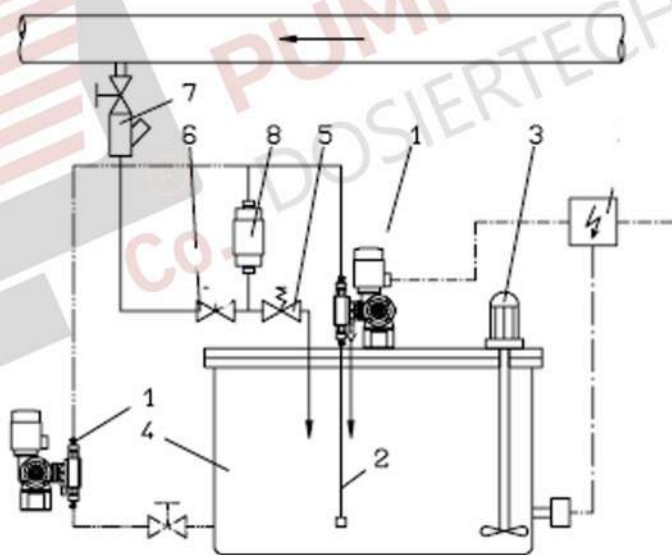
- DIMENSIONS



Type	A	B	C
M 4,8	106	102	230
M 10,45	150	112	249

- INSTALLATION EXAMPLE:

1. Metering pump M
2. Suction pipe
3. Electric agitator
4. Tank
5. Pressure relief valve
6. Ball valve
7. Injection point
8. Pulsation dampener





PUMP VIJEH
DOSIERTECHNIK

Co.

شرکت پمپ ویژه در سال ۱۳۷۲ با اخذ موافقت اصولی از وزارت صنایع تشکیل گردید و با توجه به شرایط روز کشور اقدام به بستن قرارداد انتقال دانش فنی و ساخت انواع پمپ تزریق مواد شیمیایی با شرکت JESCO آلمان نموده است پس از مدتی با توجه به نیازهای صنایع مختلف در ایران اقدام به همکاری با شرکت های DEBEEM ایتالیا و ITC اسپانیا و اخذ نمایندگی انحصاری نموده است.

تهران جاجرود سعیدآباد کوچه البرز شماره ۲۵ 

۰۲۱-۷۶۲.۳۵۹۴ - ۰۲۱-۷۶۲.۵۶۱۶ 

WWW.PUMPVIZEH.COM 