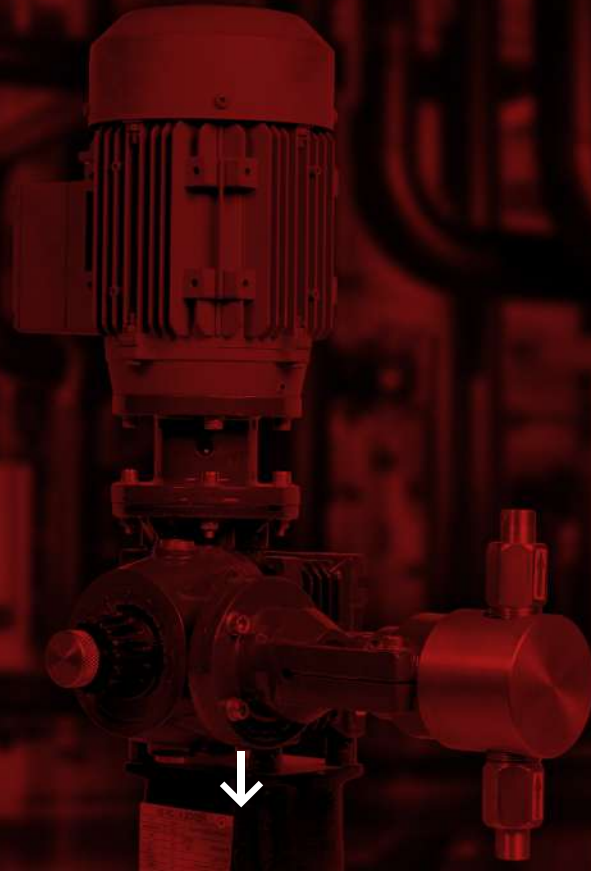




PUMP VIJEH
DOSIERTECHNIK

KR METERING PUMPS SERIES

PRODUCT BROCHURE





PUMP VIJEH
Co. DOSIERTECHNIK

o
i
**PRODUCT
IMAGE**



1

WWW.PUMPVIEH.COM



GENERAL INFORMATION

- GENERAL

The gearbox is a standard worm wheel reduction system with all bearings supported within a fully lubricated gearbox. The mechanism for variation of the stroke length a positive stroke spring return that is operated by an eccentric.


KR series Piston Dosing Pumps can be supplied in the following forms: Single Piston Dosing Pump type KR Twin-headed piston Dosing Pump type ZKR Single or two dosing heads of different sizes and output capacities varying between 8 and 1450 lts/hr can be fitted. Advantages of a Piston Dosing Pump




- little dependency on back pressure
- linear dosage variation as a function of stroke length

The metering pumps are therefore very suitable for proportional metering where the stroke length is adjusted by means of a remote control signal

- VERSIONS AVAILABLE

Standard versions have the metering head on the left-hand side.

Type KR...L (Symbol ) :Upon request metering pumps are available with the metering head on the right-hand side.

Type KR...R (Symbol ) :For duplex metering pumps, the heads may be combined as listed in the below tables. Depending on the head size they are arranged in parallel (Symbol ) or diagonally (Symbol )

For duplex Dosing Pumps, the heads may be combined as required. If the head sizes are different, the larger one is always placed in front



GENERAL INFORMATION

- DOSING HEAD

Metering head Metering heads are supplied in plastic for max. 10 bar and in stainless steel for up to 200 bar. The correct choice of the metering heads depends on the aggressivity of the chemical, its temperature and viscosity, and on the system pressure. Environmental factors (harsh operating conditions, radiant heat) must also be considered. Environmental factors (harsh operating conditions, radiant heat, etc.) may also be important.

STROKE ADJUSTMENT

Flow rate adjustment is possible while running or at standstill. The movement of the piston is based on a precise reciprocating gearbox, which provides an exact volumetric displacement. Stroke adjustment can be carried out Manually and electrically

- VALVE

Suction and discharge valves can be supplied in the form of double-ball or spring-loaded single-ball valves. Spring-loaded valves are to be recommended if the chemical used has a viscosity of over 400mpas

- FLUSHING ATTACHMENT

Metering heads are generally fitted with a flushing attachment. Flushing water should be applied if the chemical being used is very aggressive, to prevent damage by corrosion from leakage that is bound to occur. If the medium used is abrasive, the flushing water is intended to prevent the piston and packing from failing after only a short time of operation as a result of intensified leakage. The flushing water pressure should, in this case, be greater than that of the medium.



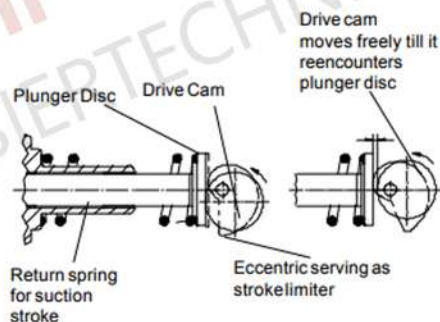
GENERAL INFORMATION

- DRIVE UNIT

The Drive Unit consists of an oil-lubricated worm drive with a single stage stepdown mechanism. The stroke is created by means of a drive cam which moves up and down a spring-loaded plunger to which the piston is affixed. The dosing stroke is induced by the thrust of the drive cam, the suction stroke by the return spring. Length of stroke is determined by means of a plunger return stop, with a manually adjustable eccentric serving as a stroke limiter. The length of stroke, by which the dosage is determined, can be adjusted manually whilst in operation on a linear scale of 100- 0 %. A manual adjustment facility is provided with the standard version.

- ABRASIVE MEDIA

Piston packings can be supplied in the form of Teflon/ silk packings and Aramid packings. The Teflon/silk packing is supplied as standard can be used with nearly all types of chemicals. Where abrasive agents are concerned it may be advisable to use Aramid-Keflar packing if the chemical employed allows. Aramid-Keflar is not resistant to concentrated acids or alkalis.





TECHNICAL FEATURES

- SIMPLEX DOSING PUMPS

KR		KR8	KR20	KR30	KR40	KR75	KR125	KR180	KR295	KR420	KR725
Delivery capacity	L/h	8	20	31	40	75	125	180	295	420	725
Max. delivery Pressure	Bar	200	190	130	95	50	30	20	12	10	5
Stroke Frequency	1/min	96	96	96	96	96	96	96	96	96	96
Connection Type		Threaded									
Connection size		DN6	DN6	DN6	DN6	DN10	DN10	DN10	DN10	DN10	DN25
Power supply	Kw	0.55	0.55	0.55	0.55	0.55	0.55	0.75	0.75	0.75	0.75
Wet End material		PVC , PP and Stainless Steel (SS316)									
Stroke adjustment		Manually adjustable (0 ~ 100%)									

- DUPLEX DOSING PUMPS WITH EQUAL HEAD

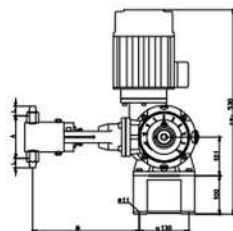
ZKR		ZKR 8/8	ZKR 20/20	ZKR 30/30	ZKR 40/40	ZKR 75/75	ZKR 125/125	ZKR 180/180	ZKR 295/295	ZKR 420/420	ZKR 725/725
Delivery capacity	L/h	8/8	20/20	31/31	40/40	75/75	125/125	180/180	295/295	420/420	725/725
Max. delivery Pressure	Bar	200	190	130	95	50	30	20	12	10	5
Stroke Frequency	1/min	96	96	96	96	96	96	96	96	96	96
Connection Type		Threaded									
Connection size		DN6	DN6	DN6	DN6	DN10	DN10	DN10	DN10	DN10	DN25
Power supply	Kw	0.55	0.55	0.55	0.55	0.55	0.55	0.75	0.75	0.75	0.75
Wet End material		PVC , PP and Stainless Steel (SS316)									
Stroke adjustment		Manually adjustable (0 ~ 100%)									



DIMENSION

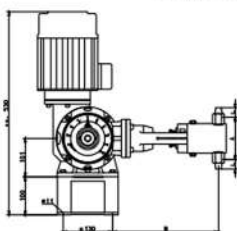
- SIMPLEX PUMPS

Left-hand version



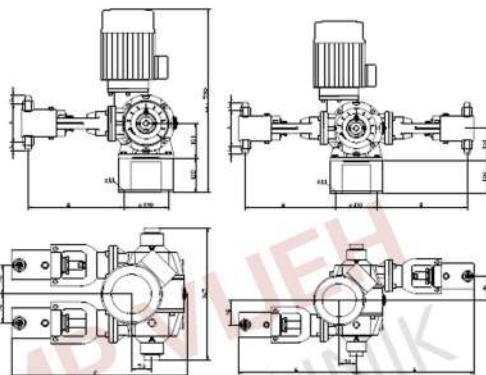
KR 8 L ... KR 725 L

Right-hand version



KR 8 R ... KR 725 R

- DUPLEX PUMPS



ZKR 8 - 75 / 8 - 75
ZKR 125 - 420 / 8 - 75
ZKR 420 - 725 / 8 - 75
ZKR 125 - 420 / 125 - 420

ZKR 420 - 725 / 125 - 420
ZKR 420 - 420 / 420 - 725

With duplex pumps that have differently sized metering heads, the larger metering head is always positioned on the left (L) (other versions on request).

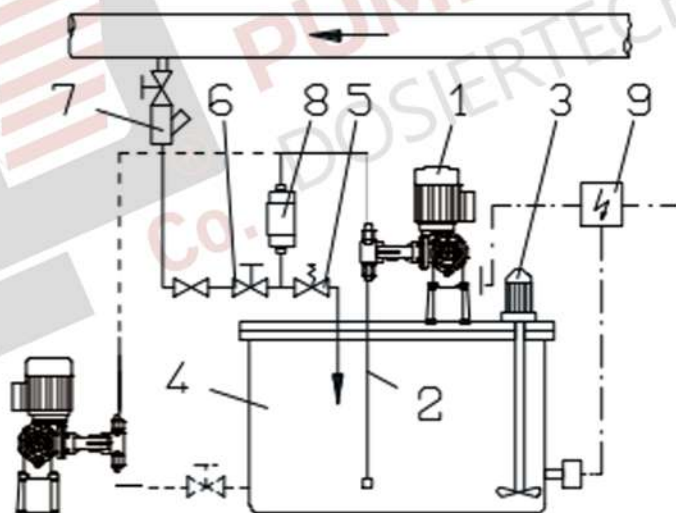
- DIMENSIONS

Pump	A		B		C		D	
Type	Palstic	SS	Palstic	SS	Palstic	SS	Palstic	SS
8-40	132	100	278	278	455	455	343	343
75	142	110	278	278	455	455	343	343
125-420	242	209	296	306	495	445	361	371
725	198	319	319	311	518	548	429	459



- INSTALLATION EXAMPLE:

1. Dosing Pump K series
2. Suction Pipeline
3. Motor Mixer
4. Solution Tank
5. Relief Valve MB
6. Isolation Valve
7. Injection Valve/Fitting
8. Pulsation Damper
9. Control Box





PUMP VIJEH
DOSIERTECHNIK

Co.

شرکت پمپ ویژه در سال ۱۳۷۲ با اخذ موافقت اصولی از وزارت صنایع تشکیل گردید و با توجه به شرایط روز کشور اقدام به بستن قرارداد انتقال دانش فنی و ساخت انواع پمپ تزریق مواد شیمیایی با شرکت JESCO آلمان نموده است پس از مدتی با توجه به نیازهای صنایع مختلف در ایران اقدام به همکاری با شرکت های DEBEEM ایتالیا و ITC اسپانیا و اخذ نمایندگی انحصاری نموده است.

تهران جاجرود سعیدآباد کوچه البرز شماره ۲۵ 

۰۲۱-۷۶۲.۳۵۹۴ - ۰۲۱-۷۶۲.۵۶۱۶ 

WWW.PUMPVIZEH.COM 